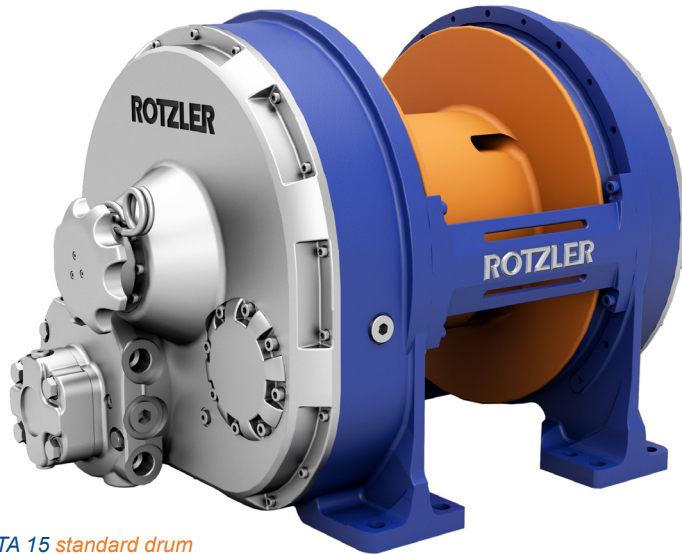
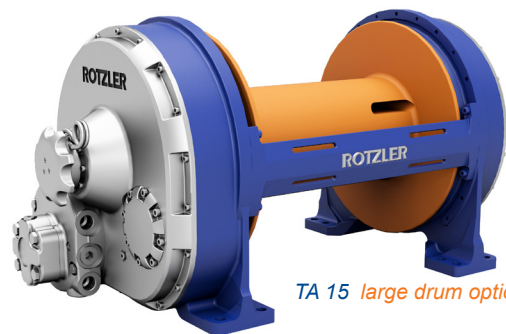


# ROTZLER TARVOS TA 15

## 35000 lbf pulling force



TA 15 standard drum

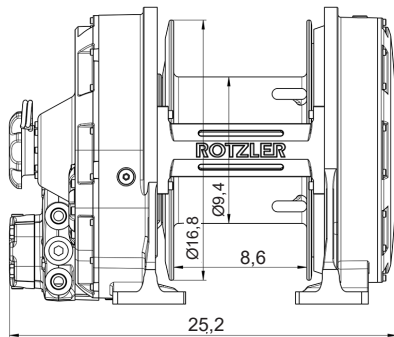


TA 15 large drum option

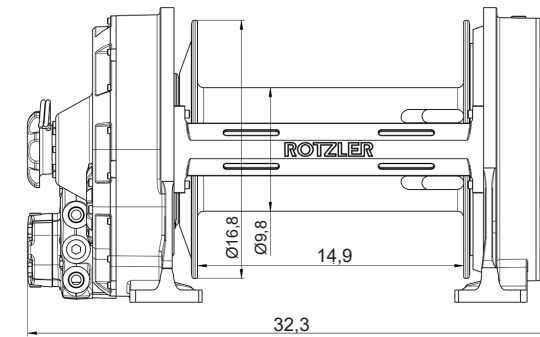
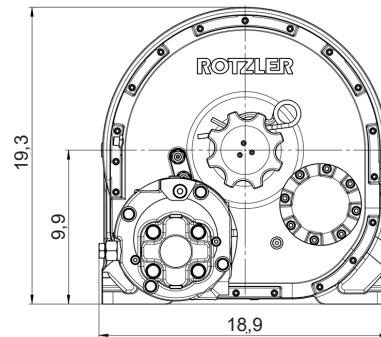
- high performance and reliability
- compact and modern design
- robust capability
- configurable to suit many applications
- easy to maintain
- optional 2 speed solution
- wide range of added options
- short delivery times

# ROTZLER TARVOS TA 15

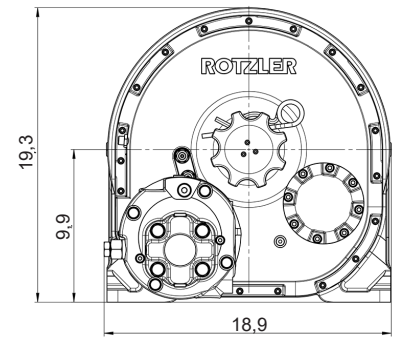
## 35000 lbf pulling force



Dimensions of TA 15 standard drum



Dimensions of TA 15 large drum option



ROTZLER TARVOS TA 15	operating pressure at motor [psi]		2800		2800	
	max. return flow pressure [psi]		300		300	
	max. back pressure [psi]		75		75	
	max. case drain pressure [psi]		300		300	
	max. oil flow [gpm]		25		25	
	rope diameter (from to) [inch]		5/8	3/4	5/8	3/4
	max. pulling force 1st layer [lbf]		35000	35000	35000	35000
	max. pulling force top layer [lbf]		23300	24200	25200	24100
	max. rope speed 1st layer [ft/min]		23	23	23	23
	max. rope speed top layer [ft/min]		34	33	31	33
max. accumulated rope storage [ft]		200	128	268	233	

TA 15 NA 02/2020

Technical data subject to change without prior notice

ROTZLER Canada Inc.  
Unit 122, 7350 - 72 Street  
Delta, B.C. V4G 1H9, Canada

Tel: +1 604 940 7134  
www.rotzler.com