

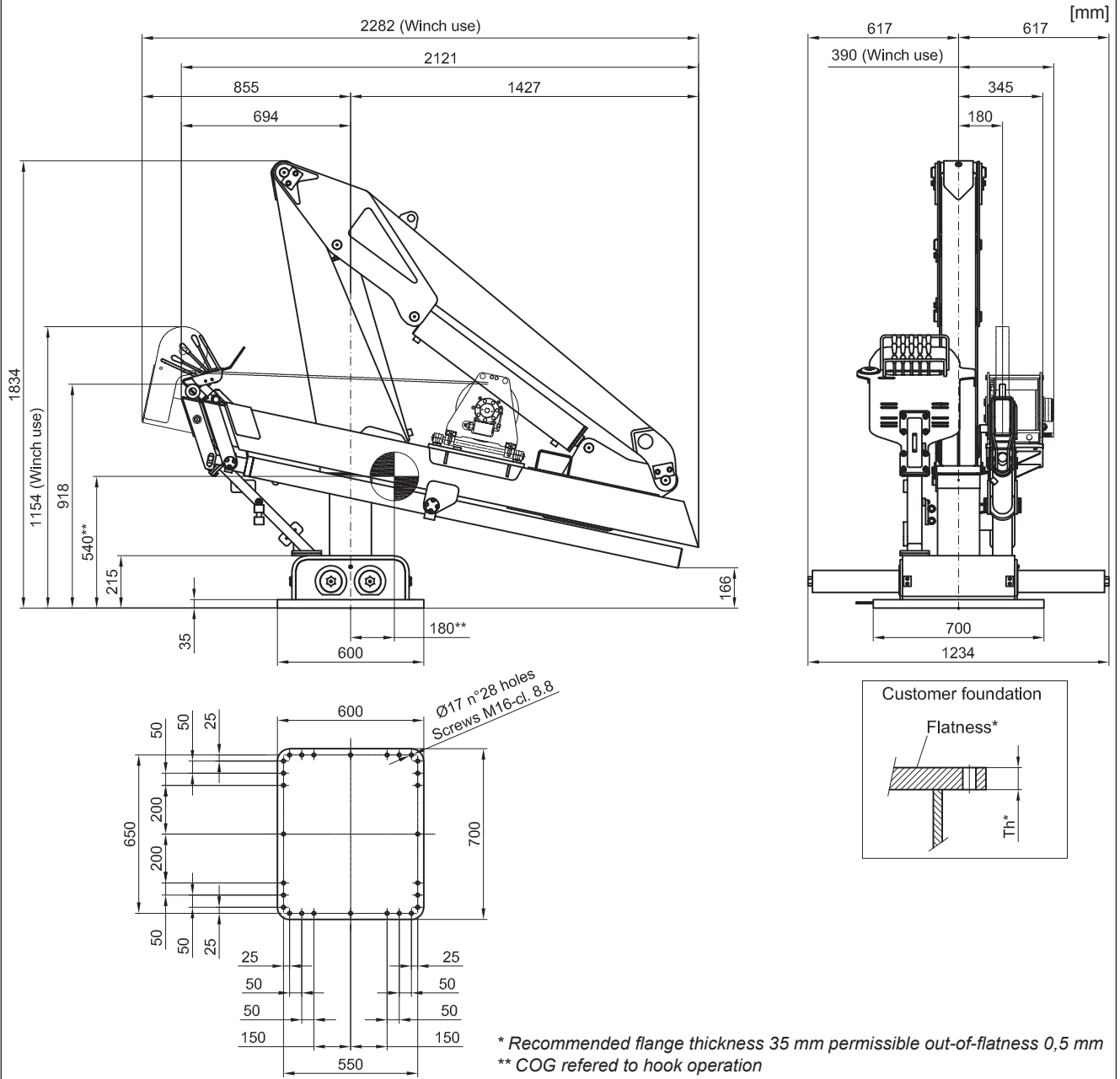


Custom Built Marine & Offshore Cranes

FOLDABLE CRANE

HLM 3-2S MODEL

Parking Position | Overall Dimensions



TECHNICAL DATA	Max dynamic crane moment	kN•m	50	Slewing speed	rpm	1,2
	Max axial force	kN	27	1st Boom lifting time	s	20
	Slewing torque	kN•m	8	2nd Boom lifting time	s	20
	Max. slewing angle	°	360	Telescopic extension time	s	31
	Pump oil flow	l/min	20			
	Max. working pressure	bar	190			
	Recommended oil quantity	l	75	0,8 ton winch hoisting speed ***	m/min	21
	Crane weight hook use	kg	860			
	Significant wave height (SWH)	m				
	Operating temperature -20°C / +45°C				*** At 2nd layer and 1 movement at the time	

[1 kN = 0,225 kip | 1 kN•m = 0,737 kip•ft]

Technical data are indicative and may change without notice, production tolerance have to be taken in to account.

2019 March | 861224-00



Custom Built Marine & Offshore Cranes

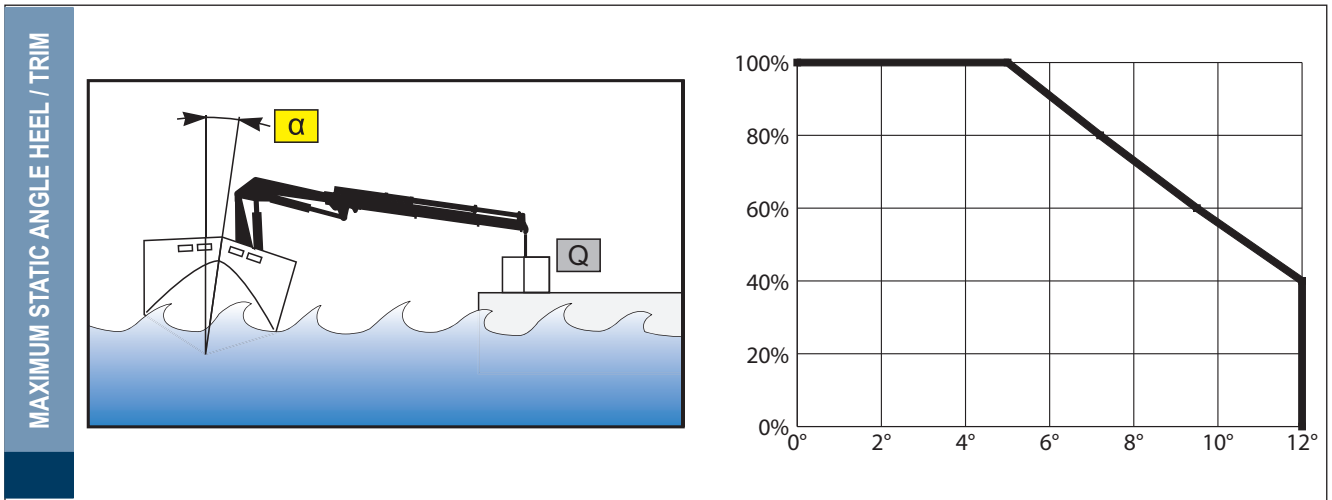
FOLDABLE CRANE

HLM 3-2S MODEL

Specifications

STANDARD FEATURES	Heila "BASIC" electrical and automation system	Painting cycle according to ISO EN UNI 12944-5 class C5M-HD
	Mechanical and structural design in compliance with IACS class requirements	Crane standard color: RAL 1005 (any other RAL free of charge)
	Base mounted control console	Moment limiting device
	Control valve block (suitable for fix displacement pump)	Dead man control levers
	DIN 2353 hydraulic fittings	Emergency stop button
	Hydraulic pipes in stainless steel (AISI 316L)	Load holding valves
	Hydraulic fittings galvanized (packed in self-vulcanizing rubber tape)	Non structural bolts stainless steel A4-70
	Mineral oil type with ISO VG 46 grade	
	Luffing & boom cylinder rods treatment: Ni+Cr (30+20 µm)	
	Telescopic cylinder rods treatment: Cr+Cr (40+40 µm)	

AVAILABLE OPTIONS	Stand-alone operator control	Centralized greasing system (manual or automatic)
	Stand-alone operator control provided with stainless steel cover	Sea state selections
	Proportional control valve block	Load indication system
	SAE J 514 hydraulic fittings	Heel indication & Limitation device
	Stainless steel hydraulic fittings	Man-riding/Personnel lift
	Auxiliary hydraulic activation at the last telescopic element for additional tool	Pedestal/Basement
	Luffing & boom cylinder rods treatment: HD4+	Winterisation for operating up to T -40°C
	NORSOK M-501 painting cycle	IACS Certifications
	Steel structures anti-corrosion treatment: flame metalizing	Designed for hazardous (classified) location ATEX
	0,8 ton winch with 30 m length Ø 8 mm rope	-
	Winch load limiting device	Electrical and automation systems available:
	Winch constant tension system	Heila "EASY" including fail-safe system
	Integrated pulley holding head	Heila "PROFI" PLC global control
	Rotating pulley holding head	Full geometrical control
	Winch double fall configurations	
	Radio remote control	
	Cable remote control	
	Swiveling led floodlights	
	Hydraulic emergency stop	
	Size 2 hydraulic power unit (7,5 kW)	



Technical data are indicative and may change without notice, production tolerance have to be taken in to account. 2019 March | 861224-00

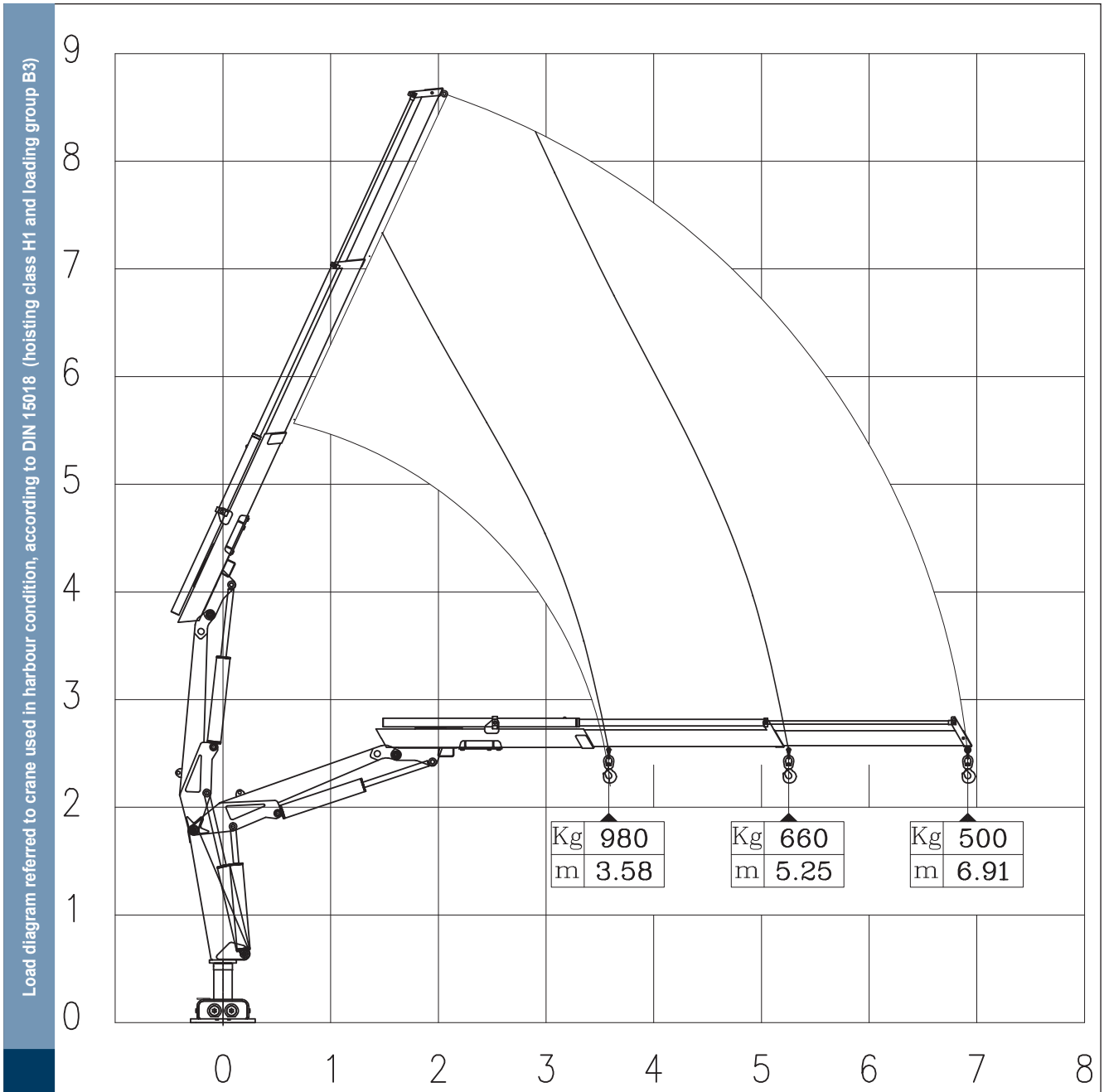


Custom Built Marine & Offshore Cranes

FOLDABLE CRANE

HLM 3-2S MODEL

Lifting capacity diagram | With HOOK



OPERATIONAL CONDITIONS	Rules	Significant wave height Hw (m)	Hw	Radius (m)							Standard hoisting speed m/min.
				3,58	5,25	6,91	-	-	-	-	
				SWL (kg)							
OFFSHORE	ONBOARD	BV NR 526	0,6	735	525	400	-	-	-	-	-
		BV NR 526	1,1	635	495	375	-	-	-	-	-
		BV NR 526	1,6	535	425	325	-	-	-	-	-
		-	-	-	-	-	-	-	-	-	-
	OFFBOARD	BV NR 526	0,6	685	495	375	-	-	-	-	-
		BV NR 526	1,1	535	395	300	-	-	-	-	-
		BV NR 526	1,6	440	360	275	-	-	-	-	-
-	-	-	-	-	-	-	-	-	-	-	

Technical data are indicative and may change without notice, production tolerance have to be taken in to account. 2019 March | 861224-00

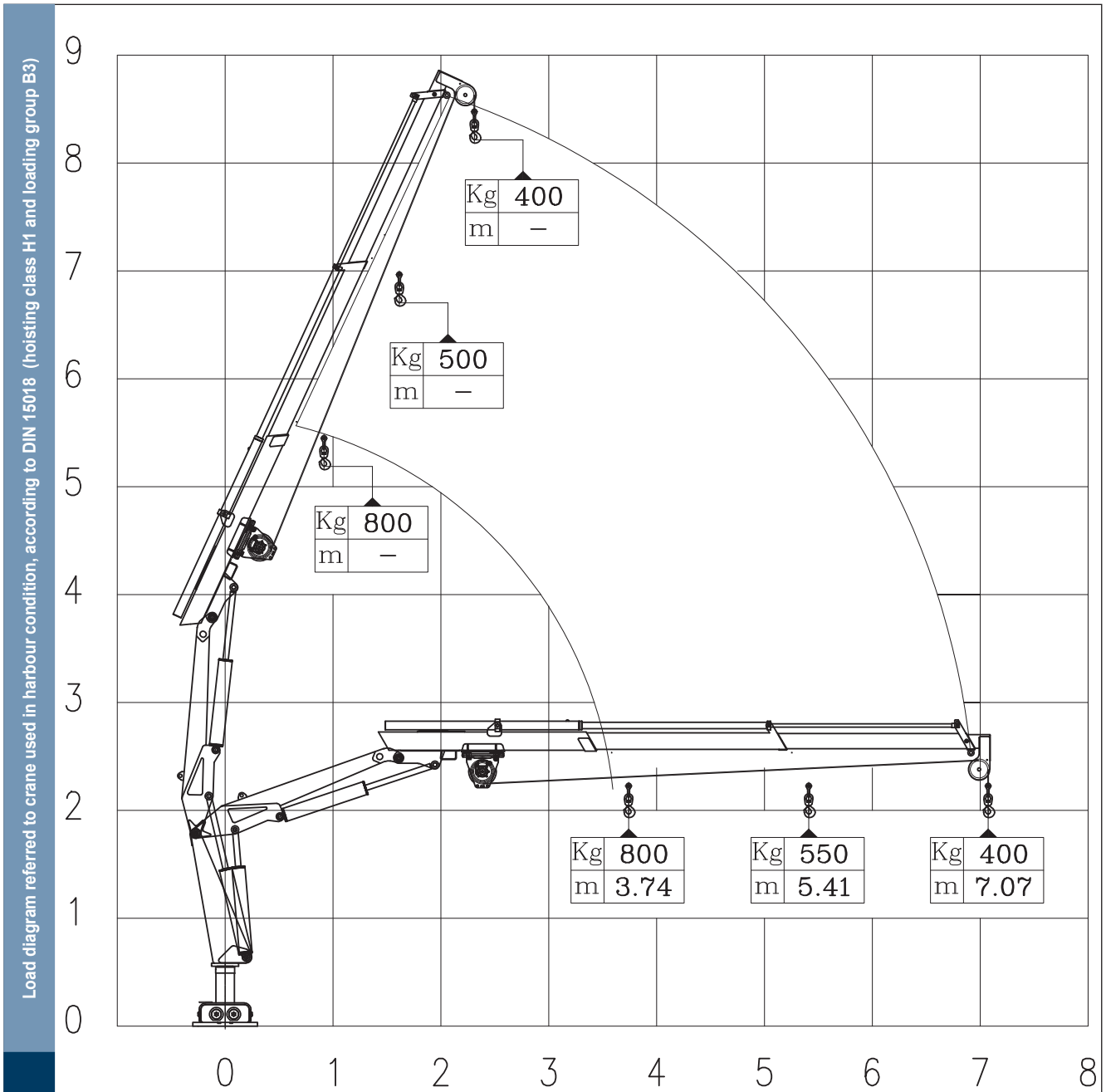


Custom Built Marine & Offshore Cranes

FOLDABLE CRANE

HLM 3-2S MODEL

Lifting capacity diagram | With 0,8 ton WINCH and pulley head



OPERATIONAL CONDITIONS	Rules	Significant wave height Hw (m)	Hw	Radius (m)							Standard hoisting speed m/min.
				3,74	5,41	7,07	-	-	-	-	
				SWL (kg)							
OFFSHORE	ONBOARD	BV NR 526	0,6	600	440	320	-	-	-	-	-
		BV NR 526	1,1	520	410	300	-	-	-	-	-
		BV NR 526	1,6	440	355	260	-	-	-	-	-
	OFFBOARD	BV NR 526	0,6	560	410	300	-	-	-	-	-
		BV NR 526	1,1	440	330	240	-	-	-	-	-
		BV NR 526	1,6	360	300	220	-	-	-	-	-
-	-	-	-	-	-	-	-	-	-	-	

Technical data are indicative and may change without notice, production tolerance have to be taken in to account. 2019 March | 861224-00

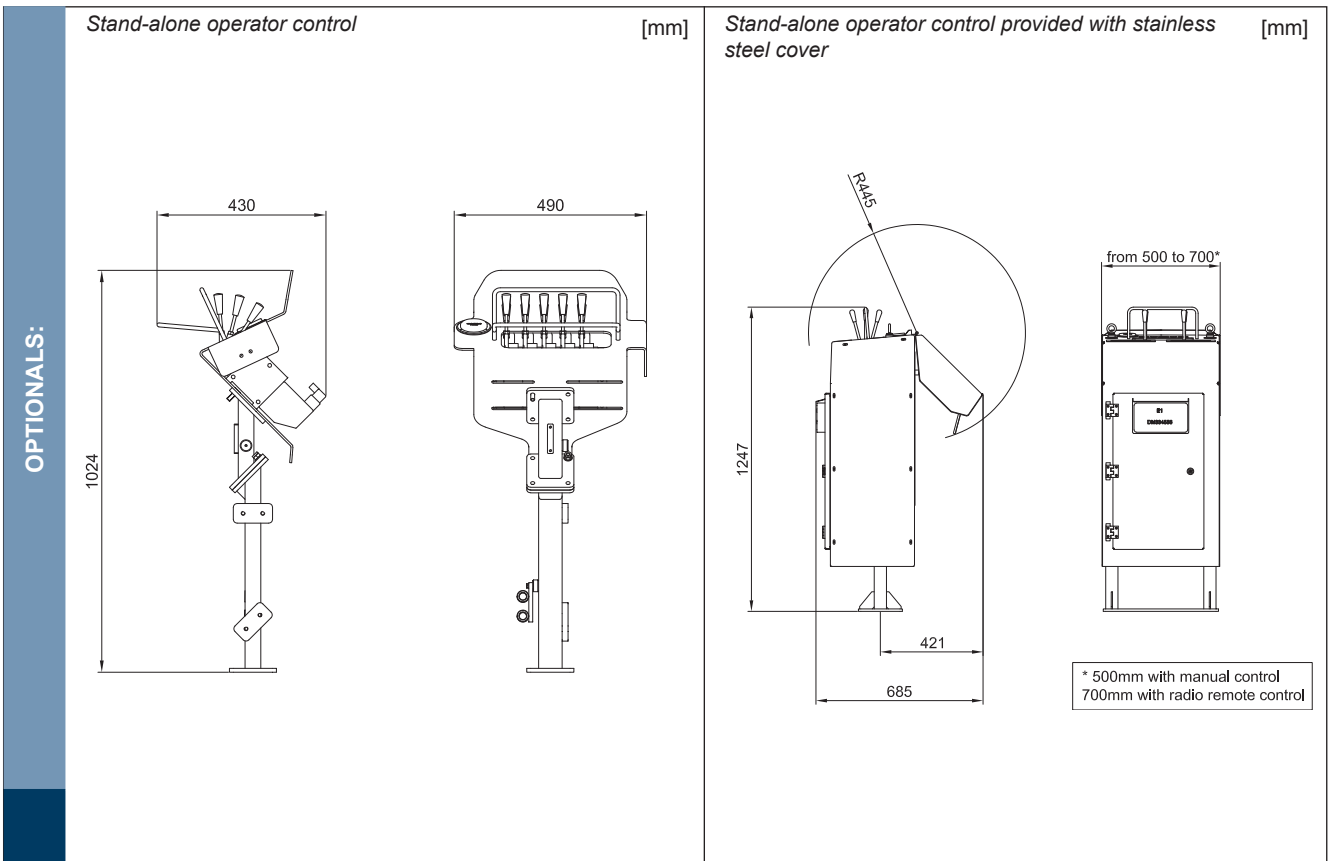
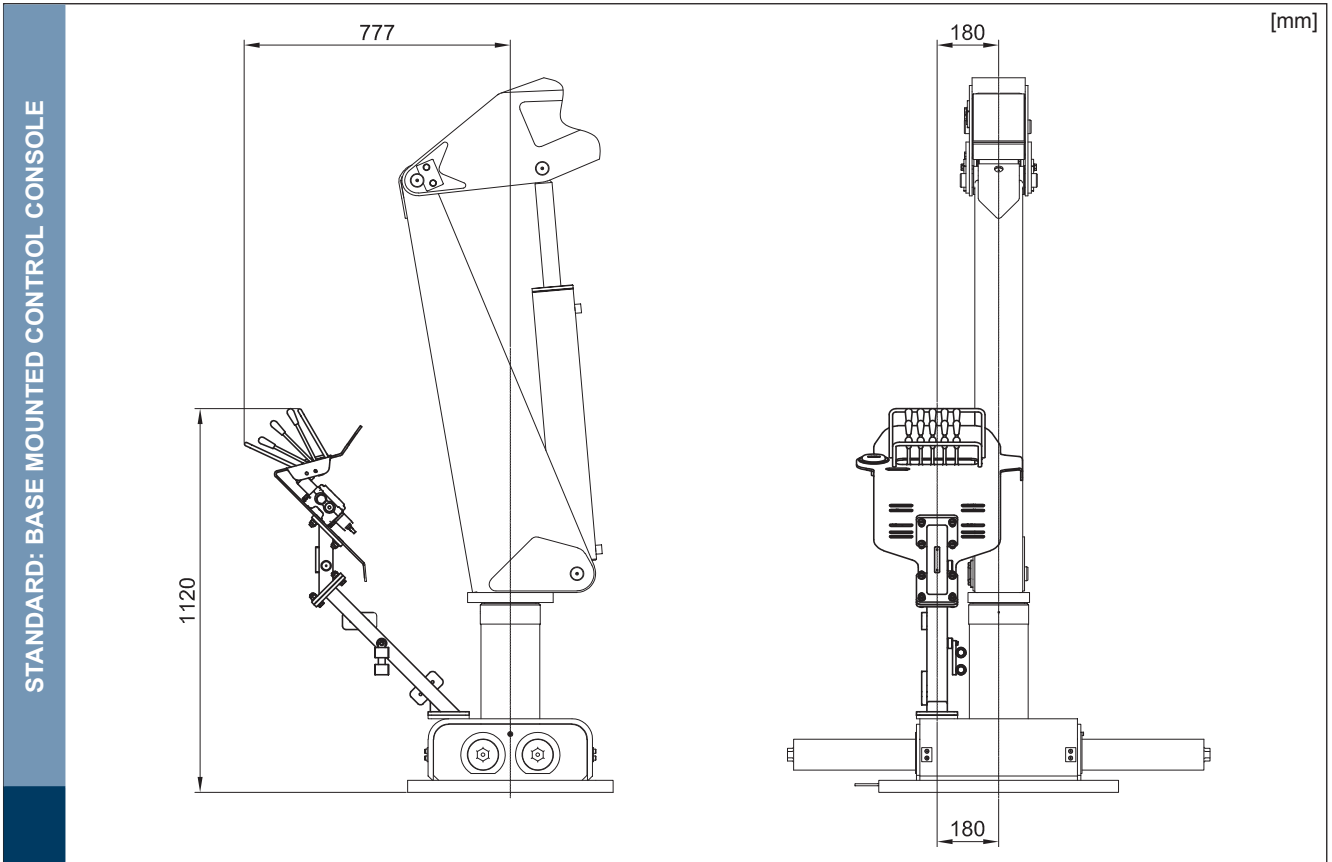


Custom Built Marine & Offshore Cranes

FOLDABLE CRANE

HLM 3-2S MODEL

Control position



Technical data are indicative and may change without notice, production tolerance have to be taken in to account. 2019 March | 861224-00



Custom Built Marine & Offshore Cranes

FOLDABLE CRANE

HLM 3-2S **MODEL**

STANDARD DEAD SPOT

[mm]

