

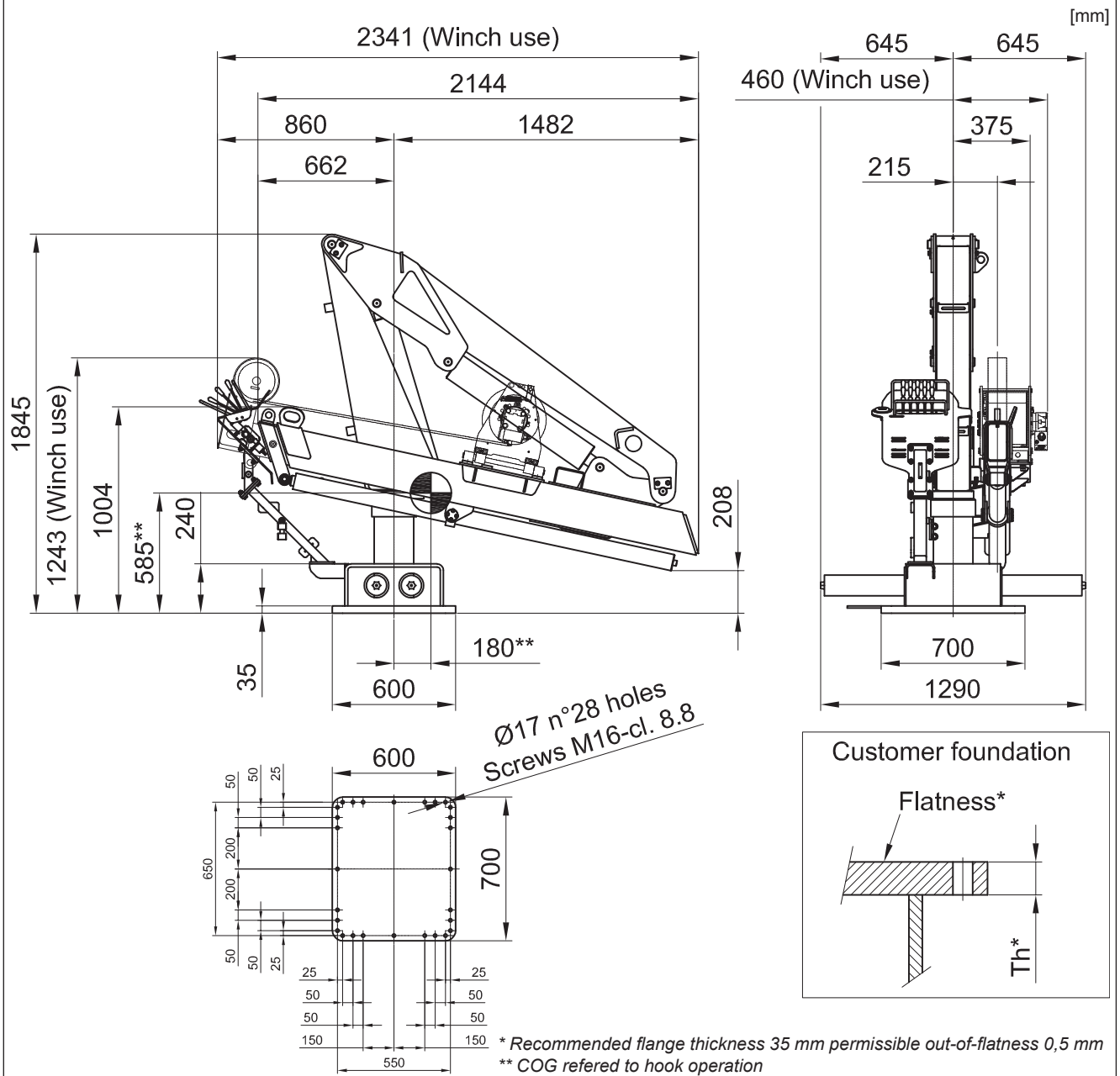


Custom Built Marine & Offshore Cranes

FOLDABLE CRANE

# HLM 6-1S MODEL

## Parking Position | Overall Dimensions



<b>TECHNICAL DATA</b>	Max dynamic crane moment	kN•m	<b>87</b>	Slewing speed	rpm	<b>1</b>
	Max axial force	kN	<b>41</b>	1st Boom lifting time	s	<b>23</b>
	Slewing torque	kN•m	<b>11</b>	2nd Boom lifting time	s	<b>23</b>
	Max. slewing angle	°	<b>360</b>	Telescopic extension time	s	<b>16</b>
	Pump oil flow	l/min	<b>20</b>			
	Max. working pressure	bar	<b>300</b>			
	Recommended oil quantity	l	<b>75</b>	1 ton winch hoisting speed ***	m/min	<b>18</b>
	Crane weight hook use	kg	<b>960</b>	1,5 ton winch hoisting speed ***	m/min	<b>15</b>
	Operating temperature -20°C / +45°C			*** At 2nd layer and 1 movement at the time		
	[1 kN = 0,225 kip   1 kN•m = 0,737 kip•ft]					

Technical data are indicative and may change without notice, production tolerance have to be taken in to account.

2019 March | 861221-00



Custom Built Marine & Offshore Cranes

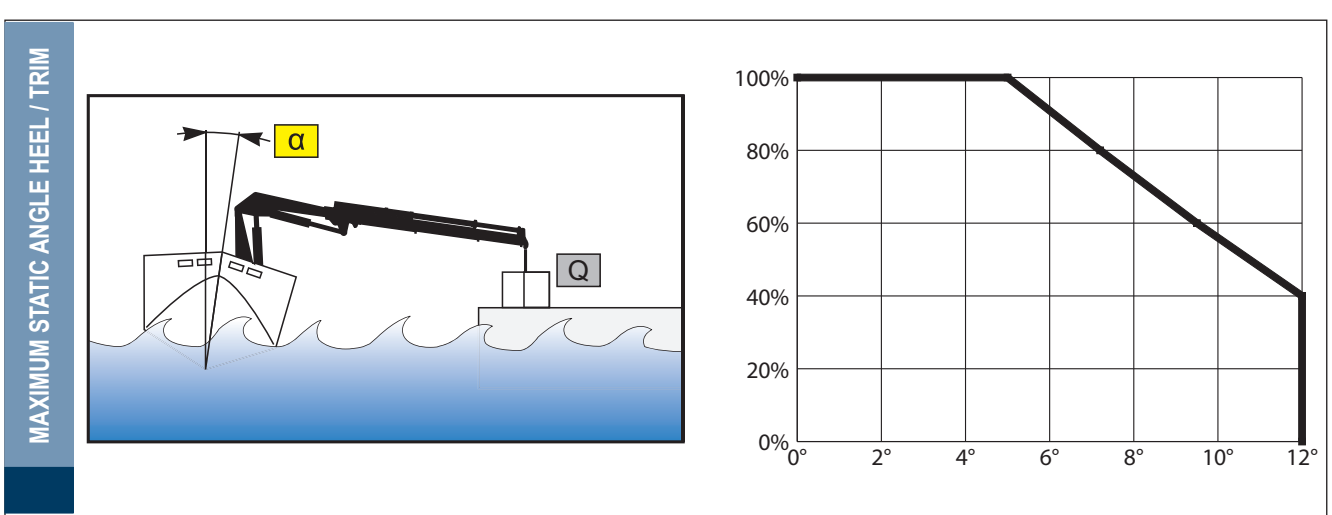
FOLDABLE CRANE

# HLM 6-1S MODEL

## Specifications

STANDARD FEATURES	Heila "BASIC" electrical and automation system	Painting cycle according to ISO EN UNI 12944-5 class C5M-HD
	Mechanical and structural design in compliance with IACS class requirements	Crane standard color: RAL 1005 (any other RAL free of charge)
	Base mounted control console	Moment limiting device
	Control valve block (suitable for fix displacement pump)	Dead man control levers
	DIN 2353 hydraulic fittings	Emergency stop button
	Hydraulic pipes in stainless steel (AISI 316L)	Load holding valves
	Hydraulic fittings galvanized (packed in self-vulcanizing rubber tape)	Non structural bolts stainless steel A4-70
	Mineral oil type with ISO VG 46 grade	
	Luffing & boom cylinder rods treatment: Ni+Cr (30+20 µm)	
	Telescopic cylinder rods treatment: Cr+Cr (40+40 µm)	

AVAILABLE OPTIONS	Stand-alone operator control	Size 2 hydraulic power unit (7,5 kW)
	Stand-alone operator control provided with stainless steel cover	Centralized greasing system (manual or automatic)
	Proportional control valve block	Sea state selections
	SAE J 514 hydraulic fittings	Load indication system
	Stainless steel hydraulic fittings	Heel indication & Limitation device
	Auxiliary hydraulic activation at the last telescopic element for additional tool	Man-riding/Personnel lift
	Luffing & boom cylinder rods treatment: HD4+	Pedestal/Baseament
	NORSOK M-501 painting cycle	Winterisation for operating up to T -40°C
	Steel structures anti-corrosion treatment: flame metalizing	IACS Certifications
	1 ton winch with 35 m length Ø 10 mm rope	Designed for hazardous (classified) location ATEX
	1,5 ton winch with 35 m length Ø 10 mm rope	-
	Winch load limiting device	Electrical and automation systems available:
	Winch constant tension system	Heila "EASY" including fail-safe system
	Integrated pulley holding head	Heila "PROFI" PLC global control
	Rotating pulley holding head	Full geometrical control
	Winch double fall configurations	
	Radio remote control	
	Cable remote control	
	Swiveling led floodlights	
	Hydraulic emergency stop	



Technical data are indicative and may change without notice, production tolerance have to be taken in to account. 2019 March | 861221-00

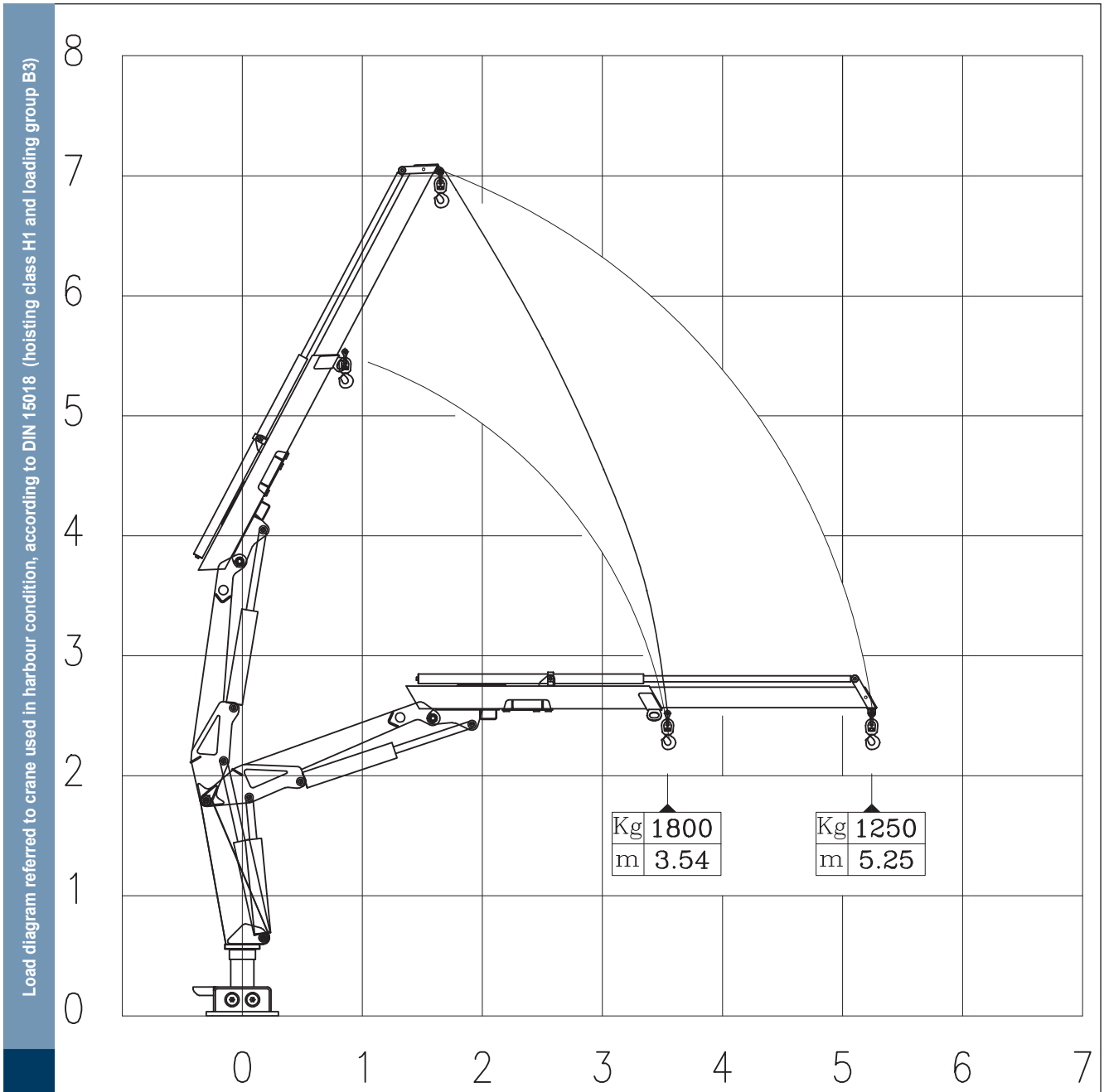


Custom Built Marine & Offshore Cranes

FOLDABLE CRANE

# HLM 6-1S MODEL

## Lifting capacity diagram | With HOOK



Capacities down grade in offshore use	OPERATIONAL CONDITIONS		Rules	Significant wave height	H <sub>w</sub> (m)	Radius (m)						Standard hoisting speed m/min.
				H <sub>w</sub> (m)		3,54	5,25	-	-	-	-	
	OFFSHORE	ONBOARD	BV NR 526	0,6	SWL (kg)	1350	1000	-	-	-	-	-
BV NR 526			1,1	1170		935	-	-	-	-	-	-
BV NR 526			1,6	990		810	-	-	-	-	-	-
-			-	-		-	-	-	-	-	-	-
OFFBOARD		BV NR 526	0,6	1260		935	-	-	-	-	-	-
		BV NR 526	1,1	990		750	-	-	-	-	-	-
		BV NR 526	1,6	810		685	-	-	-	-	-	-
-	-	-	-	-	-	-	-	-	-	-	-	

Technical data are indicative and may change without notice, production tolerance have to be taken in to account. 2019 March | 861221-00

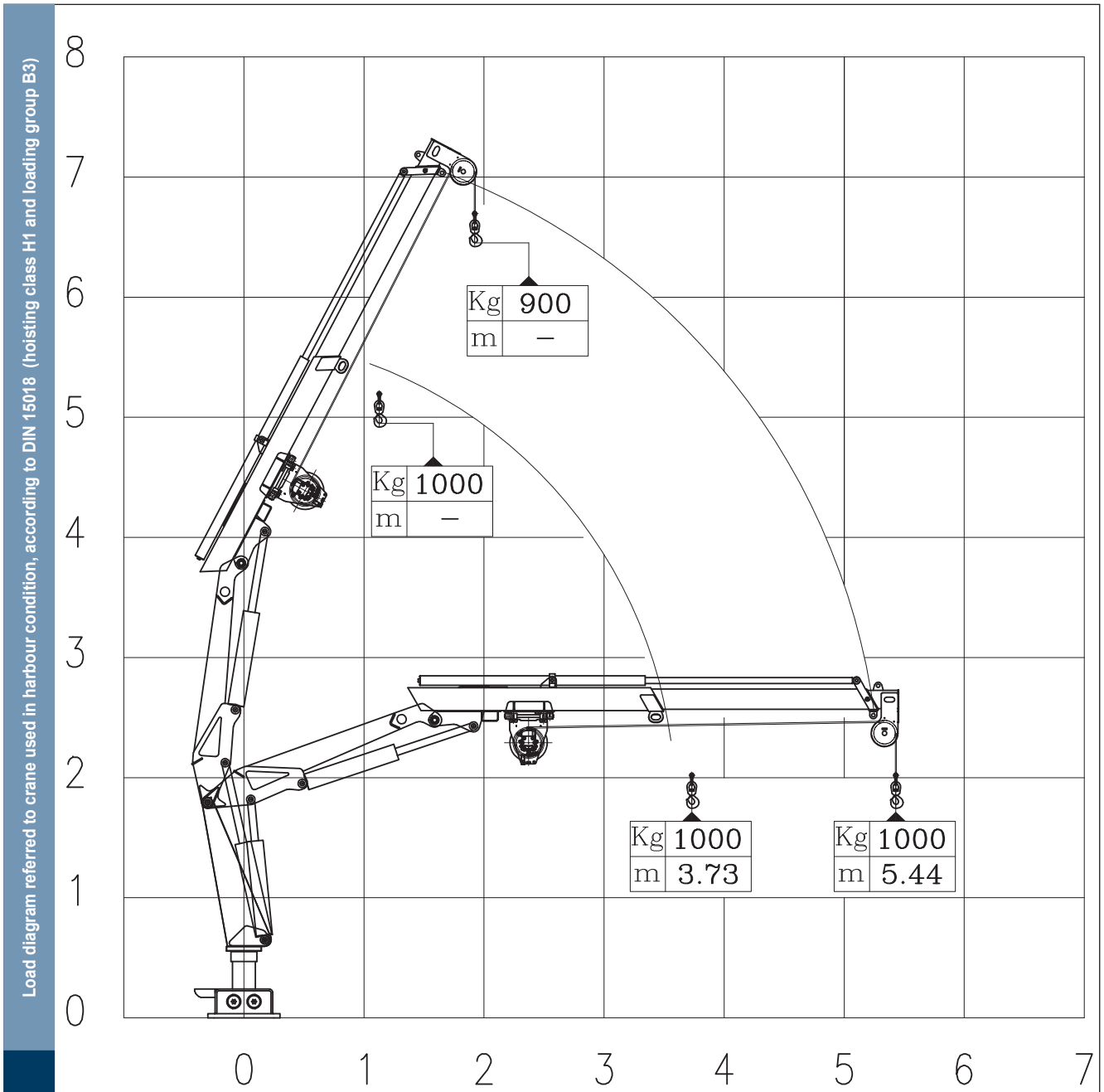


Custom Built Marine & Offshore Cranes

FOLDABLE CRANE

# HLM 6-1S MODEL

Lifting capacity diagram | With 1 ton WINCH and pulley head



OPERATIONAL CONDITIONS	Rules	Significant wave height Hw (m)	Hw	Radius (m)							Standard hoisting speed m/min.
				3,73	5,44	-	-	-	-	-	
				SWL (kg)							
OFFSHORE	ONBOARD	BV NR 526	0,6	750	800	-	-	-	-	-	-
		BV NR 526	1,1	650	750	-	-	-	-	-	-
		BV NR 526	1,6	550	650	-	-	-	-	-	-
	OFFBOARD	BV NR 526	0,6	700	750	-	-	-	-	-	-
		BV NR 526	1,1	550	600	-	-	-	-	-	-
		BV NR 526	1,6	450	550	-	-	-	-	-	-
		-	-	-	-	-	-	-	-	-	-

Technical data are indicative and may change without notice, production tolerance have to be taken in to account. 2019 March | 861221-00

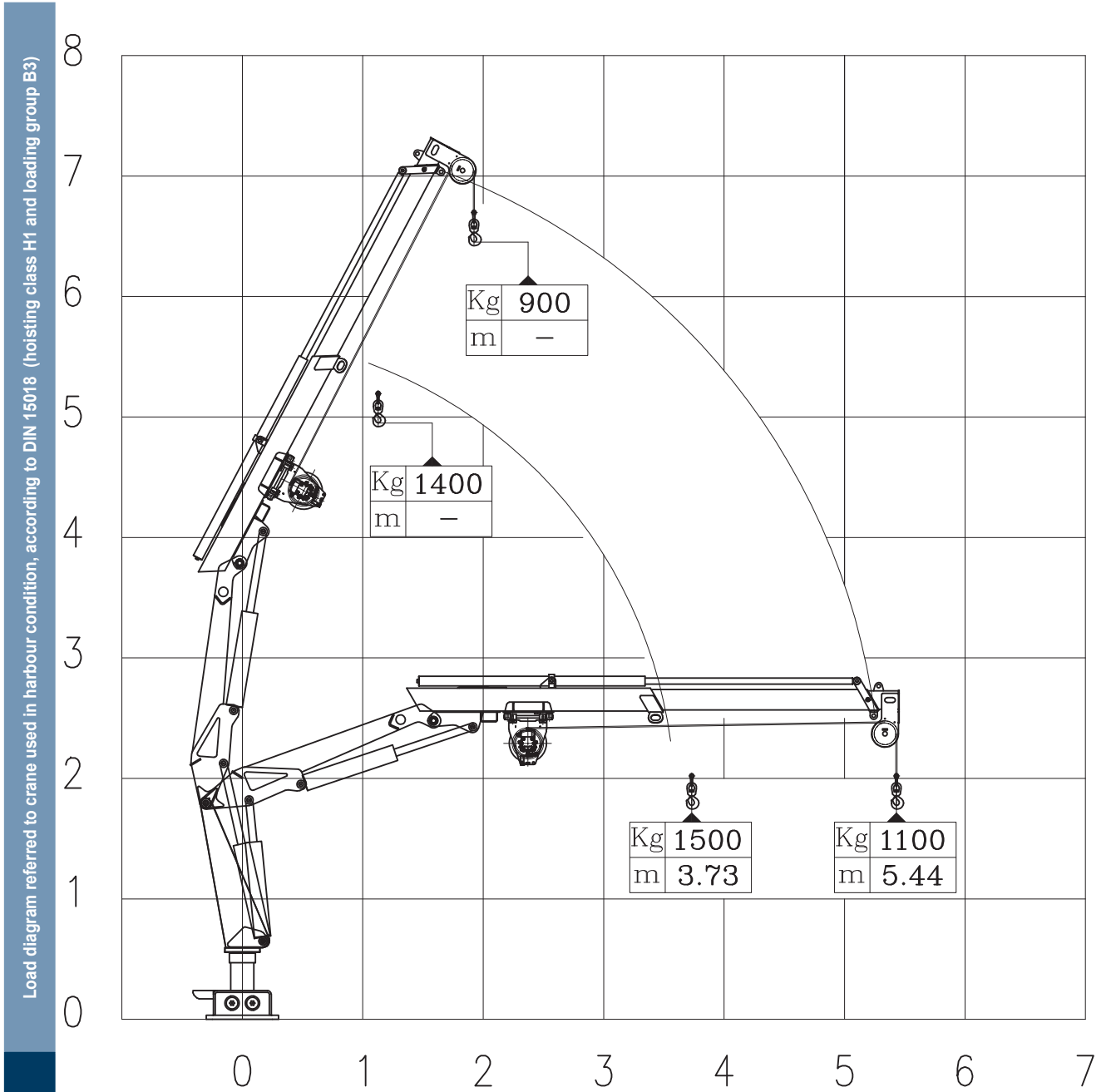


Custom Built Marine & Offshore Cranes

FOLDABLE CRANE

# HLM 6-1S MODEL

Lifting capacity diagram | With 1,5 ton WINCH and pulley head



Capacities down grade in offshore use	OPERATIONAL CONDITIONS		Rules	Significant wave height	H <sub>w</sub>	Radius (m)					Standard hoisting speed m/min.
				H <sub>w</sub> (m)		3,73	5,44	-	-	-	
	OFFSHORE	ONBOARD	BV NR 526	0,6	SWL (kg)	1125	880	-	-	-	-
BV NR 526			1,1	975		825	-	-	-	-	-
BV NR 526			1,6	825		715	-	-	-	-	-
OFFBOARD		BV NR 526	0,6	1050		825	-	-	-	-	-
		BV NR 526	1,1	825		660	-	-	-	-	-
		BV NR 526	1,6	675		605	-	-	-	-	-
		-	-	-		-	-	-	-	-	-

Technical data are indicative and may change without notice, production tolerance have to be taken in to account. 2019 March | 861221-00

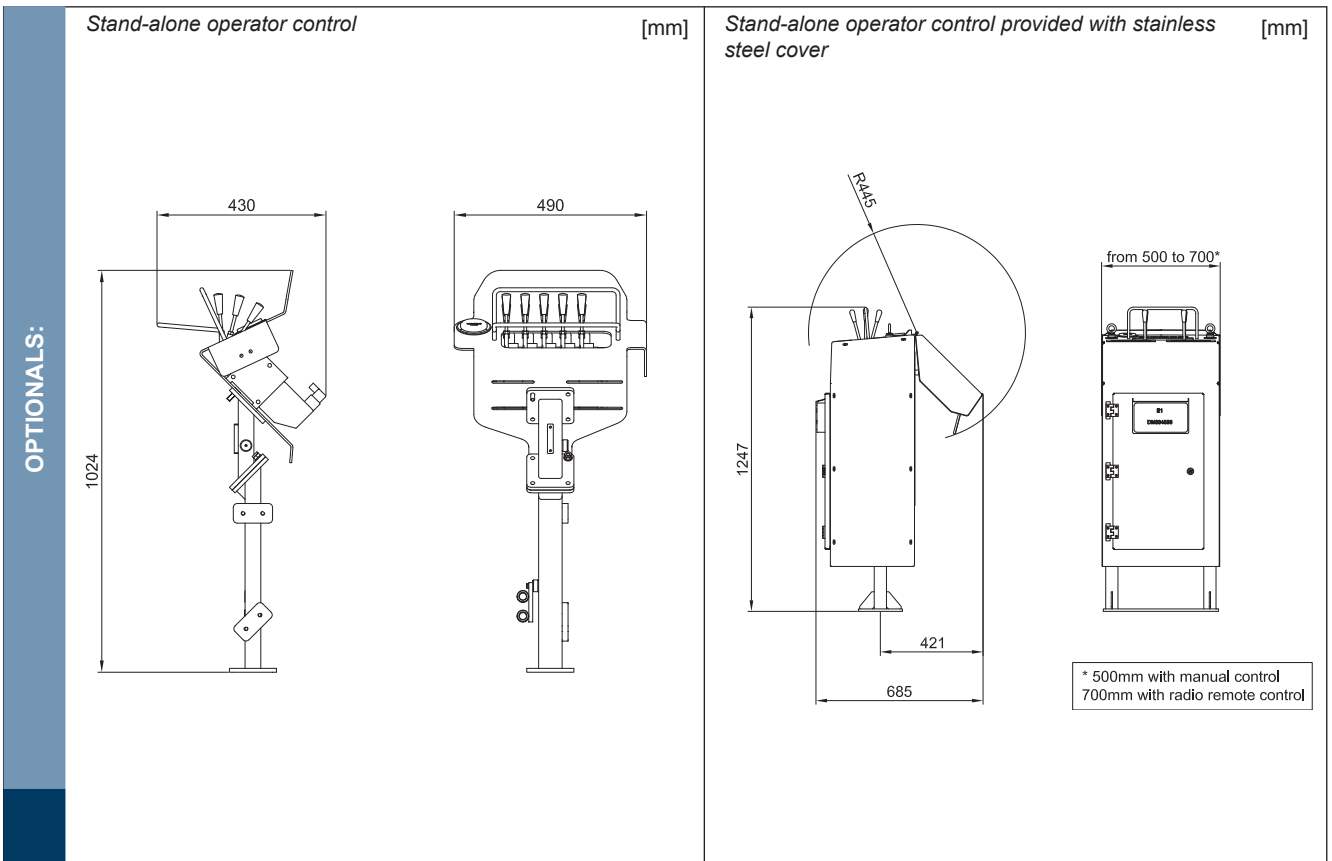
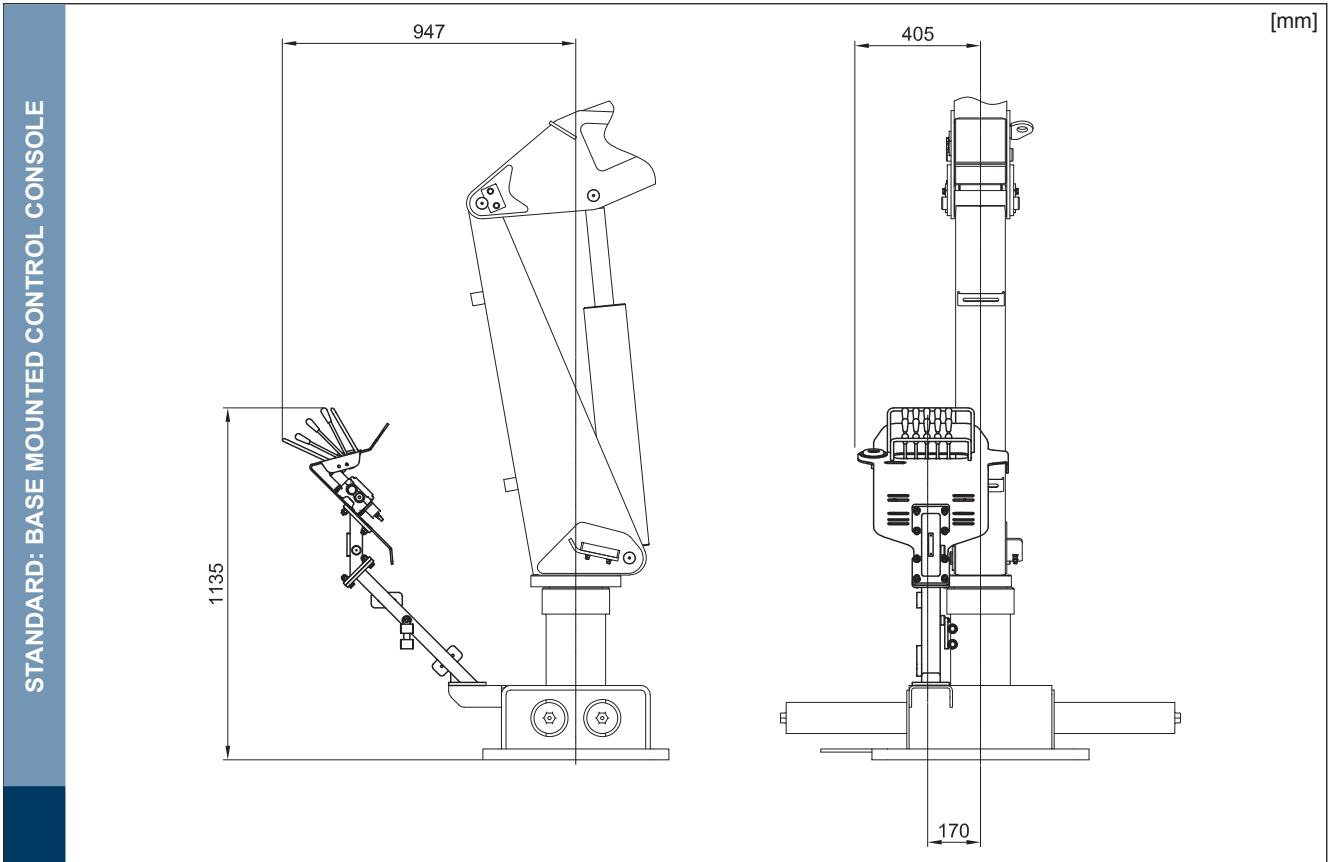


Custom Built Marine & Offshore Cranes

FOLDABLE CRANE

# HLM 6-1S MODEL

## Control position



Technical data are indicative and may change without notice, production tolerance have to be taken in to account.

2019 March | 861221-00



Custom Built Marine & Offshore Cranes

FOLDABLE CRANE

**HLM 6-1S** MODEL

STANDARD DEAD SPOT

[mm]

