

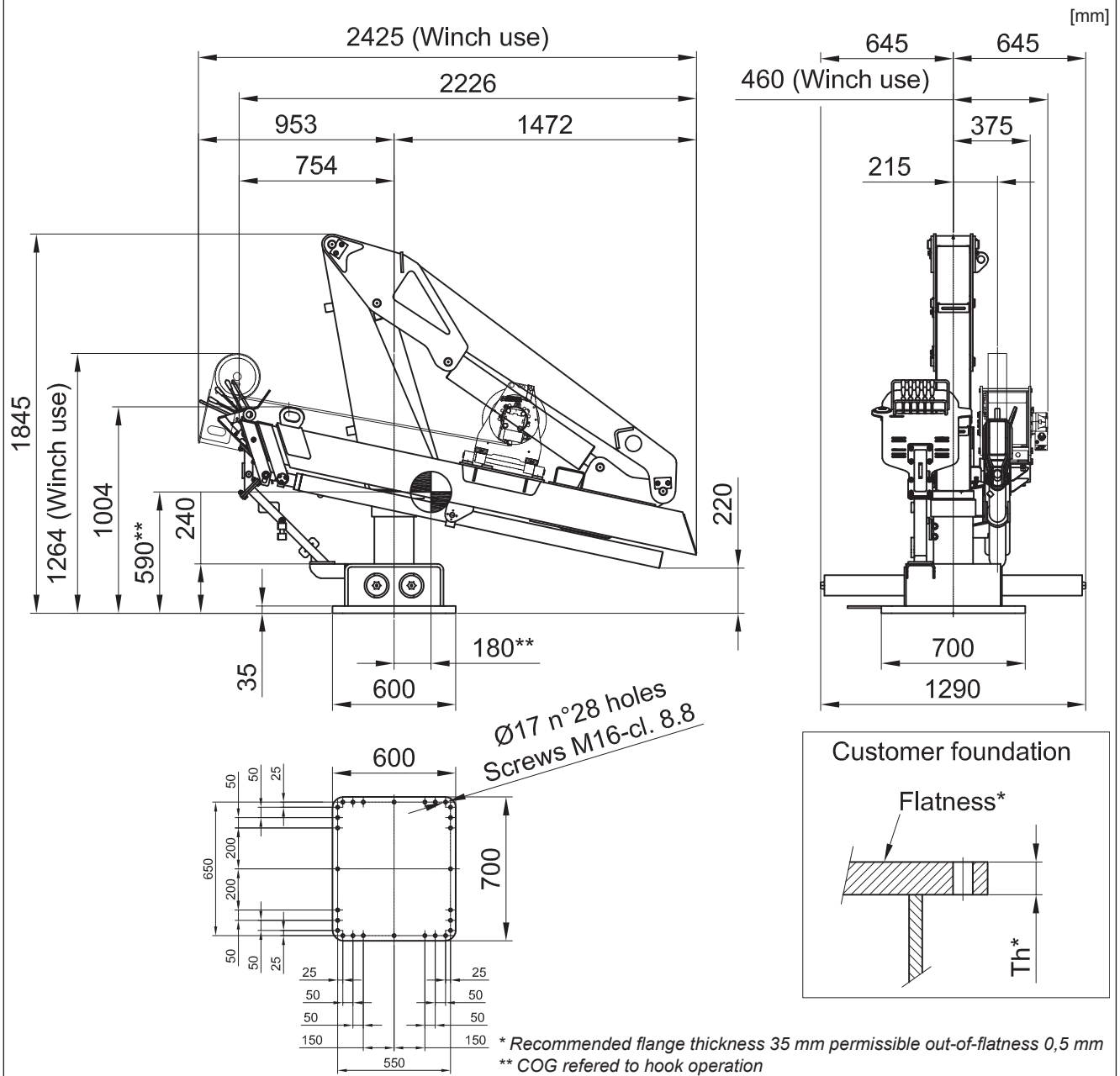


Custom Built Marine & Offshore Cranes

FOLDABLE CRANE

HLM 6-2S MODEL

Parking Position | Overall Dimensions



TECHNICAL DATA	Max dynamic crane moment	kN•m	83	Slewing speed	rpm	1
	Max axial force	kN	45	1st Boom lifting time	s	23
	Slewing torque	kN•m	11	2nd Boom lifting time	s	23
	Max. slewing angle	°	360	Telescopic extension time	s	31
	Pump oil flow	l/min	20			
	Max. working pressure	bar	300			
	Recommended oil quantity	l	75	1 ton winch hoisting speed ***	m/min	18
	Crane weight hook use	kg	1000	1,5 ton winch hoisting speed ***	m/min	15
	Operating temperature -20°C / +45°C			*** At 2nd layer and 1 movement at the time		
	[1 kN = 0,225 kip 1 kN•m = 0,737 kip•ft]					

Technical data are indicative and may change without notice, production tolerance have to be taken in to account.

2019 March | 861222-00



Custom Built Marine & Offshore Cranes

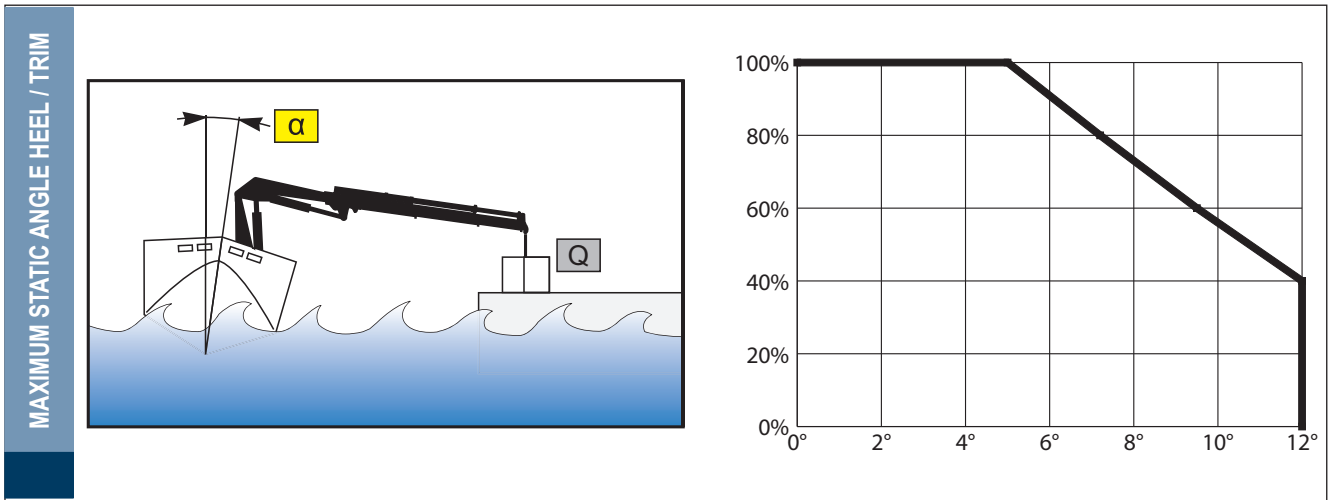
FOLDABLE CRANE

HLM 6-2S MODEL

Specifications

STANDARD FEATURES	Heila "BASIC" electrical and automation system	Crane standard color: RAL 1005 (any other RAL free of charge)
	Base mounted control console	Moment limiting device
	Control valve block (suitable for fix displacement pump)	Dead man control levers
	DIN 2353 hydraulic fittings	Emergency stop button
	Hydraulic pipes in stainless steel (AISI 316L)	Load holding valves
	Hydraulic fittings galvanized (packed in self-vulcanizing rubber tape)	Non structural bolts stainless steel A4-70
	Mineral oil type with ISO VG 46 grade	
	Luffing & boom cylinder rods treatment: Ni+Cr (30+20 μm)	
	Telescopic cylinder rods treatment: Cr+Cr (40+40 μm)	
	Painting cycle according to ISO EN UNI 12944-5 class C5M-HD	

AVAILABLE OPTIONS	Stand-alone operator control	Size 2 hydraulic power unit (7,5 kW)
	Stand-alone operator control provided with stainless steel cover	Centralized greasing system (manual or automatic)
	Proportional control valve block	Sea state selections
	SAE J 514 hydraulic fittings	Load indication system
	Stainless steel hydraulic fittings	Heel indication & Limitation device
	Auxiliary hydraulic activation at the last telescopic element for additional tool	Man-riding/Personnel lift
	Luffing & boom cylinder rods treatment: HD4+	Pedestal/Baseament
	NORSOK M-501 painting cycle	Winterisation for operating up to T -40°C
	Steel structures anti-corrosion treatment: flame metalizing	IACS Certifications
	1 ton winch with 35 m length Ø 10 mm rope	Designed for hazardous (classified) location ATEX
	1,5 ton winch with 35 m length Ø 10 mm rope	-
	Winch load limiting device	Electrical and automation systems available:
	Winch constant tension system	Heila "EASY" including fail-safe system
	Integrated pulley holding head	Heila "PROFI" PLC global control
	Rotating pulley holding head	Full geometrical control
	Winch double fall configurations	
	Radio remote control	
	Cable remote control	
	Swiveling led floodlights	
	Hydraulic emergency stop	



Technical data are indicative and may change without notice, production tolerance have to be taken in to account. 2019 March | 861222-00

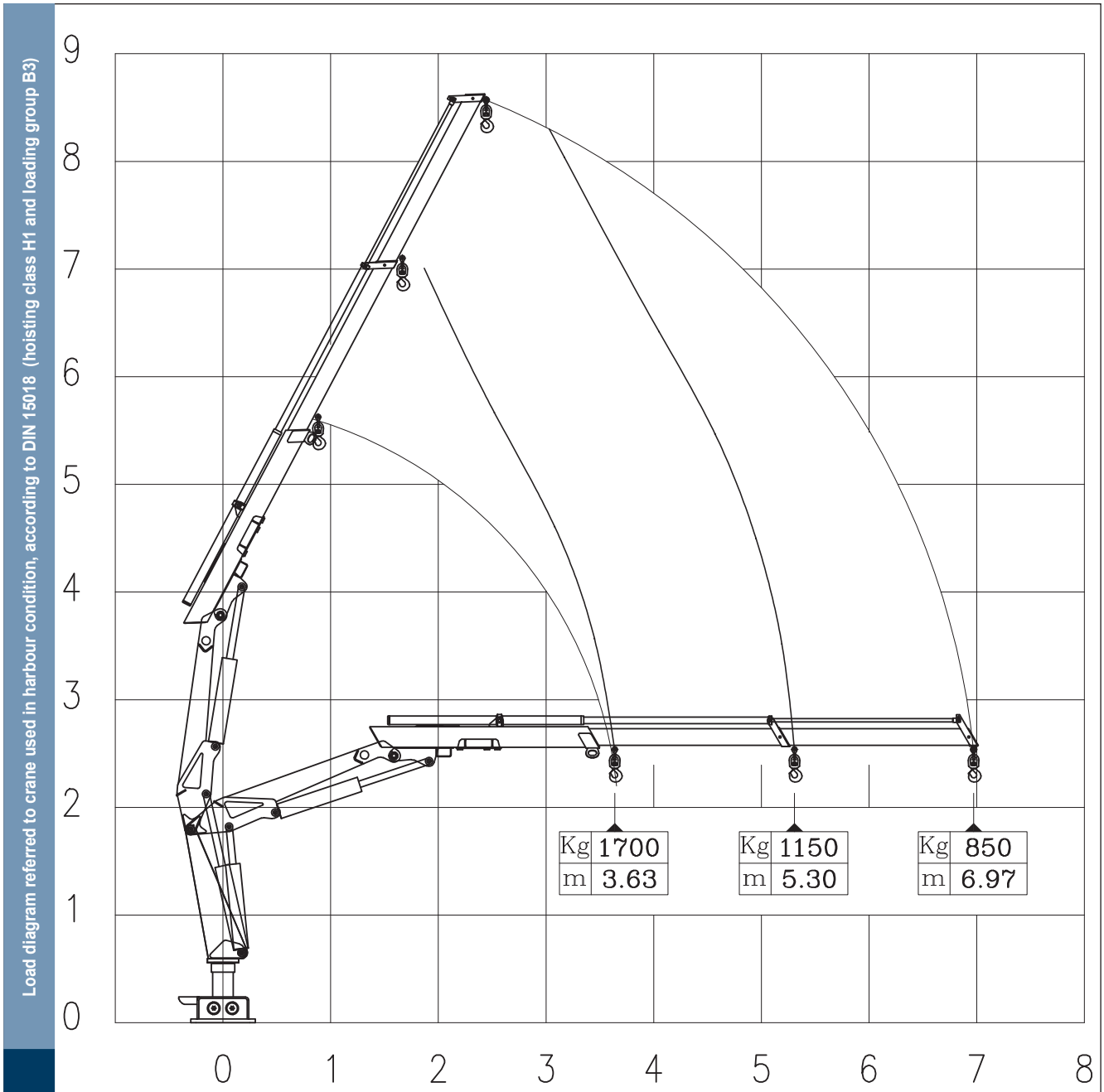


Custom Built Marine & Offshore Cranes

FOLDABLE CRANE

HLM 6-2S MODEL

Lifting capacity diagram | With HOOK



OPERATIONAL CONDITIONS	Rules	Significant wave height Hw (m)	Hw	Radius (m)							Standard hoisting speed m/min.
				3,63	5,30	6,97	-	-	-	-	
				SWL (kg)							
OFFSHORE	ONBOARD	BV NR 526	0,6	1275	920	680	-	-	-	-	-
		BV NR 526	1,1	1105	860	635	-	-	-	-	-
		BV NR 526	1,6	935	745	550	-	-	-	-	-
		-	-	-	-	-	-	-	-	-	-
	OFFBOARD	BV NR 526	0,6	1190	860	635	-	-	-	-	-
		BV NR 526	1,1	935	690	510	-	-	-	-	-
		BV NR 526	1,6	765	630	465	-	-	-	-	-
-	-	-	-	-	-	-	-	-	-	-	

Technical data are indicative and may change without notice, production tolerance have to be taken in to account. 2019 March | 861222-00

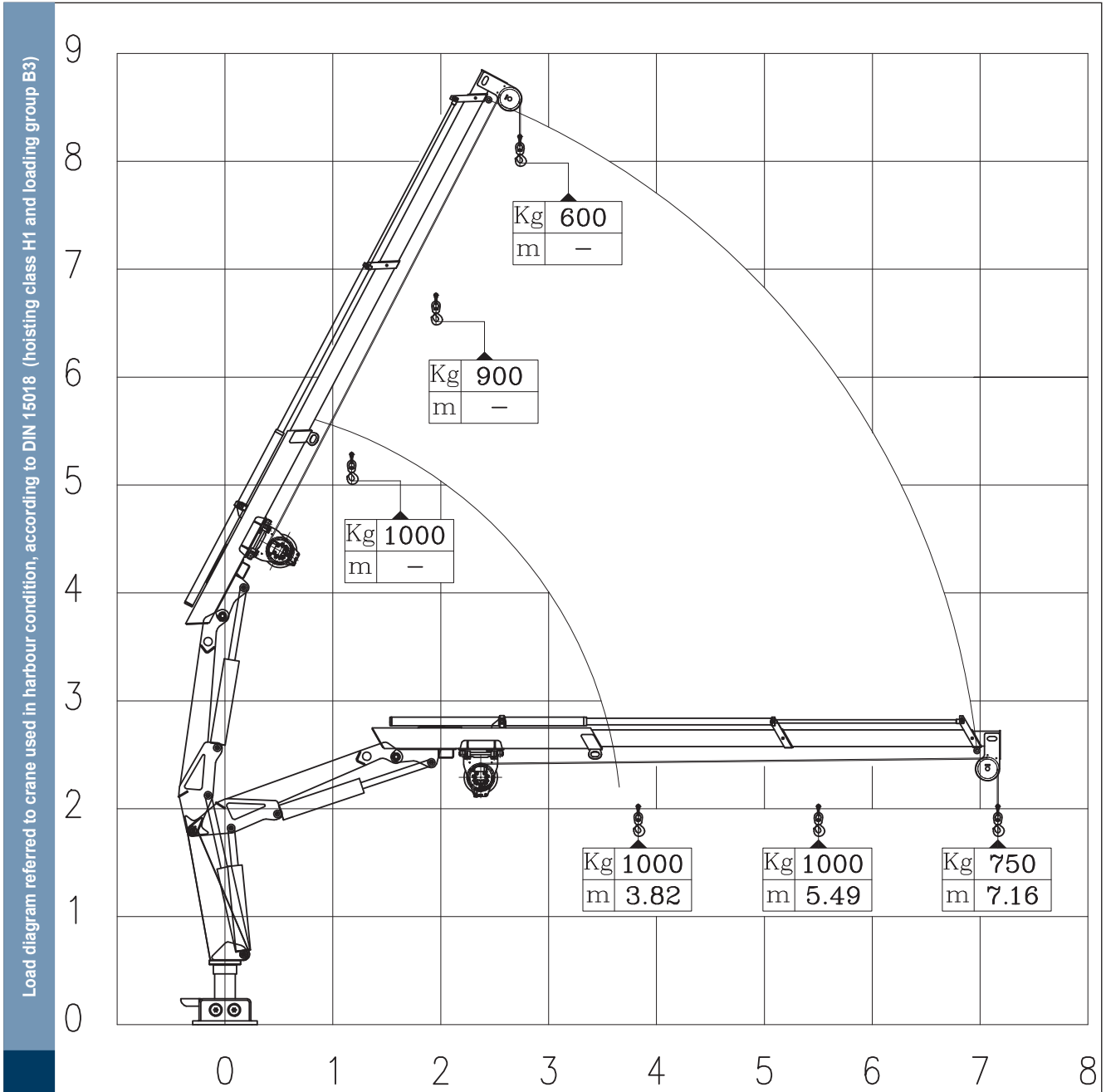


Custom Built Marine & Offshore Cranes

FOLDABLE CRANE

HLM 6-2S MODEL

Lifting capacity diagram | With 1 ton WINCH and pulley head



OPERATIONAL CONDITIONS	Rules	Significant wave height Hw (m)	Hw	Radius (m)							Standard hoisting speed m/min.	
				3,82	5,49	7,16	-	-	-	-		
				SWL (kg)								
OFFSHORE	ONBOARD	BV NR 526	0,6	-	750	800	600	-	-	-	-	-
		BV NR 526	1,1		650	750	560	-	-	-	-	-
		BV NR 526	1,6		550	650	485	-	-	-	-	-
	OFFBOARD	BV NR 526	0,6		700	750	560	-	-	-	-	-
		BV NR 526	1,1		550	600	450	-	-	-	-	-
		BV NR 526	1,6		450	550	410	-	-	-	-	-
-	-	-	-	-	-	-	-	-	-	-		

Technical data are indicative and may change without notice, production tolerance have to be taken in to account. 2019 March | 861222-00

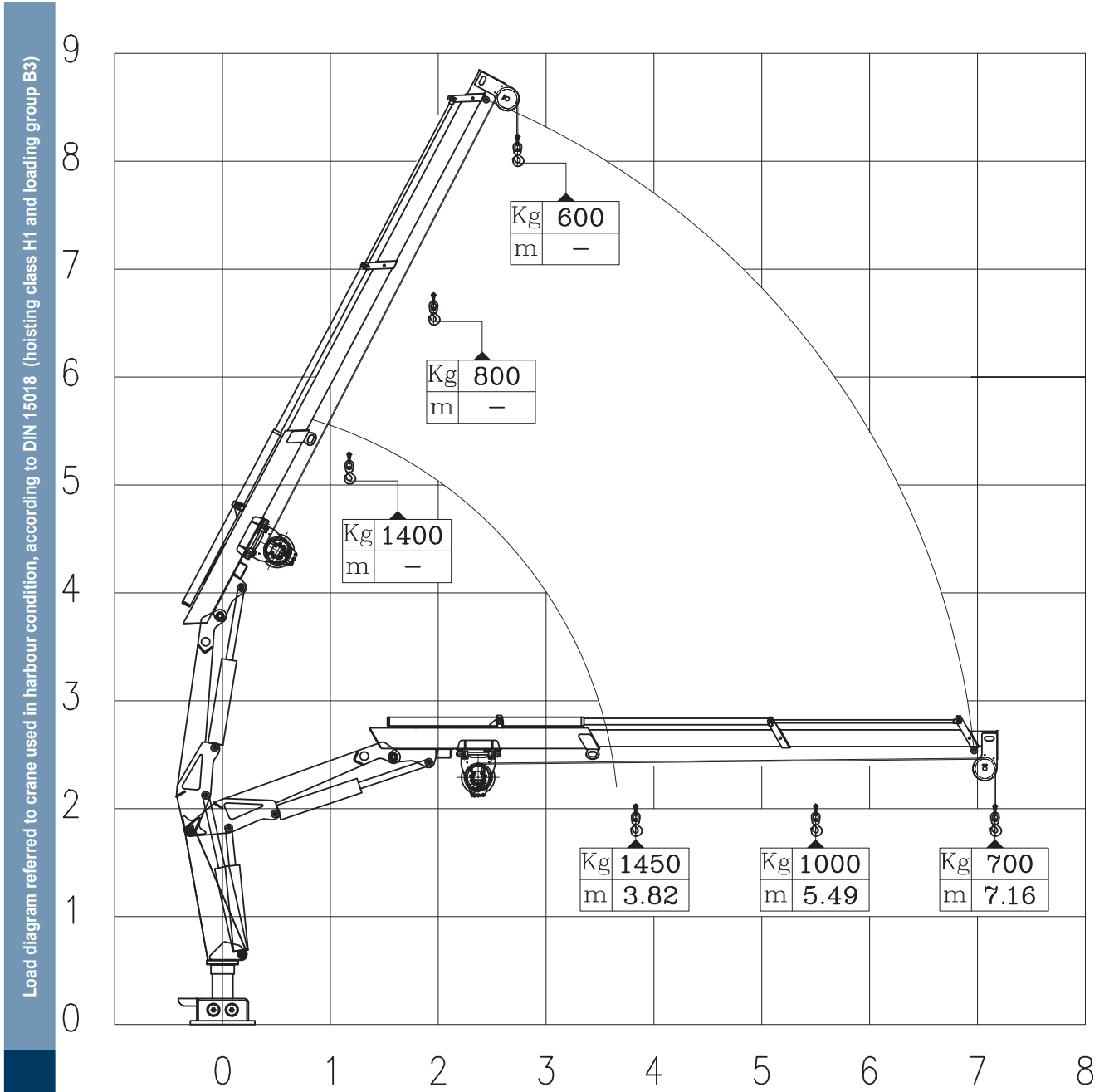


Custom Built Marine & Offshore Cranes

FOLDABLE CRANE

HLM 6-2S MODEL

Lifting capacity diagram | With 1,5 ton WINCH and pulley head



OPERATIONAL CONDITIONS	Rules	Significant wave height Hw (m)	Hw	Radius (m)							Standard hoisting speed m/min.
				3,82	5,49	7,16	-	-	-	-	
				SWL (kg)							
OFFSHORE	ONBOARD	BV NR 526	0,6	1085	800	560	-	-	-	-	-
		BV NR 526	1,1	940	750	525	-	-	-	-	-
		BV NR 526	1,6	795	650	455	-	-	-	-	-
	OFFBOARD	BV NR 526	0,6	1015	750	525	-	-	-	-	-
		BV NR 526	1,1	795	600	420	-	-	-	-	-
		BV NR 526	1,6	650	550	385	-	-	-	-	-
-	-	-	-	-	-	-	-	-	-	-	

Technical data are indicative and may change without notice, production tolerance have to be taken in to account. 2019 March | 861222-00

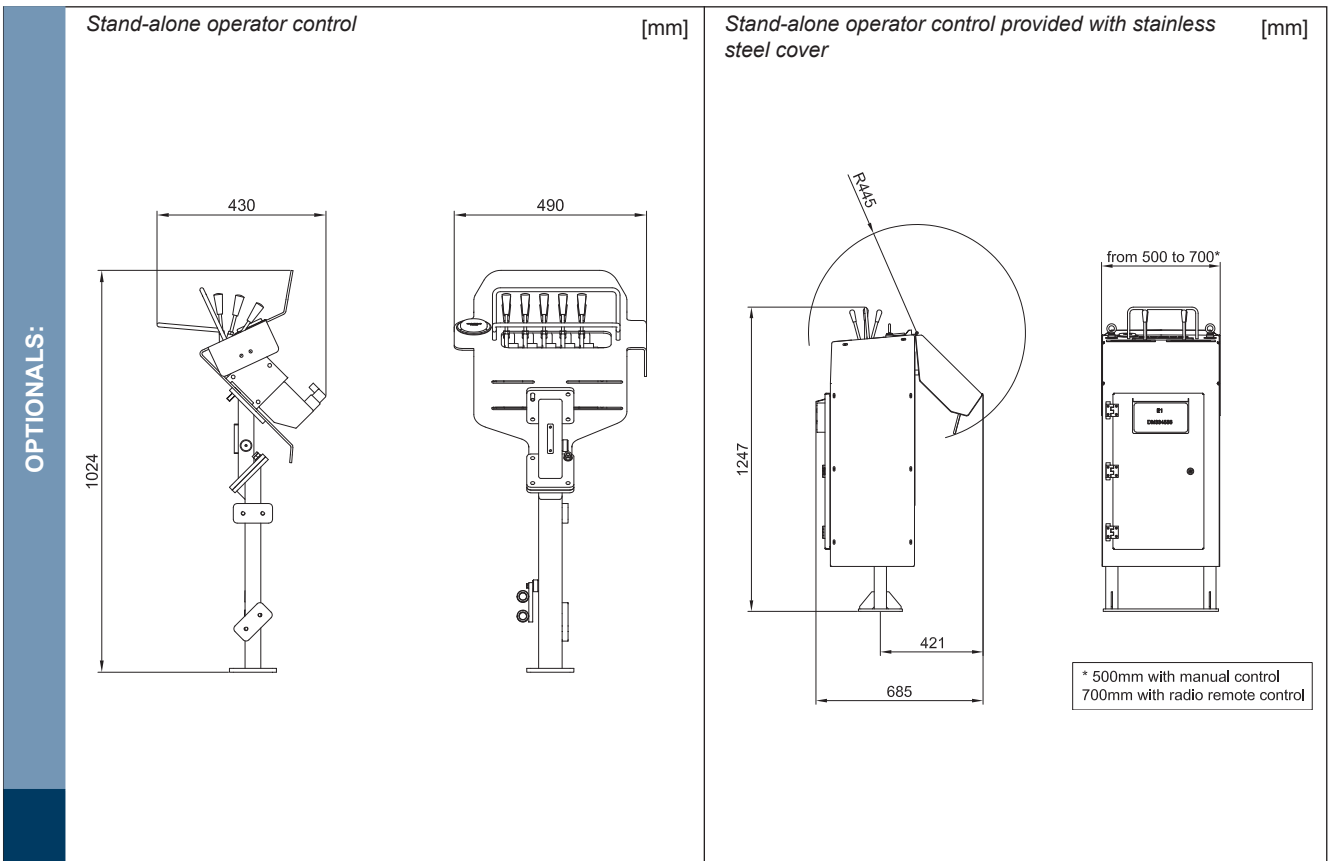
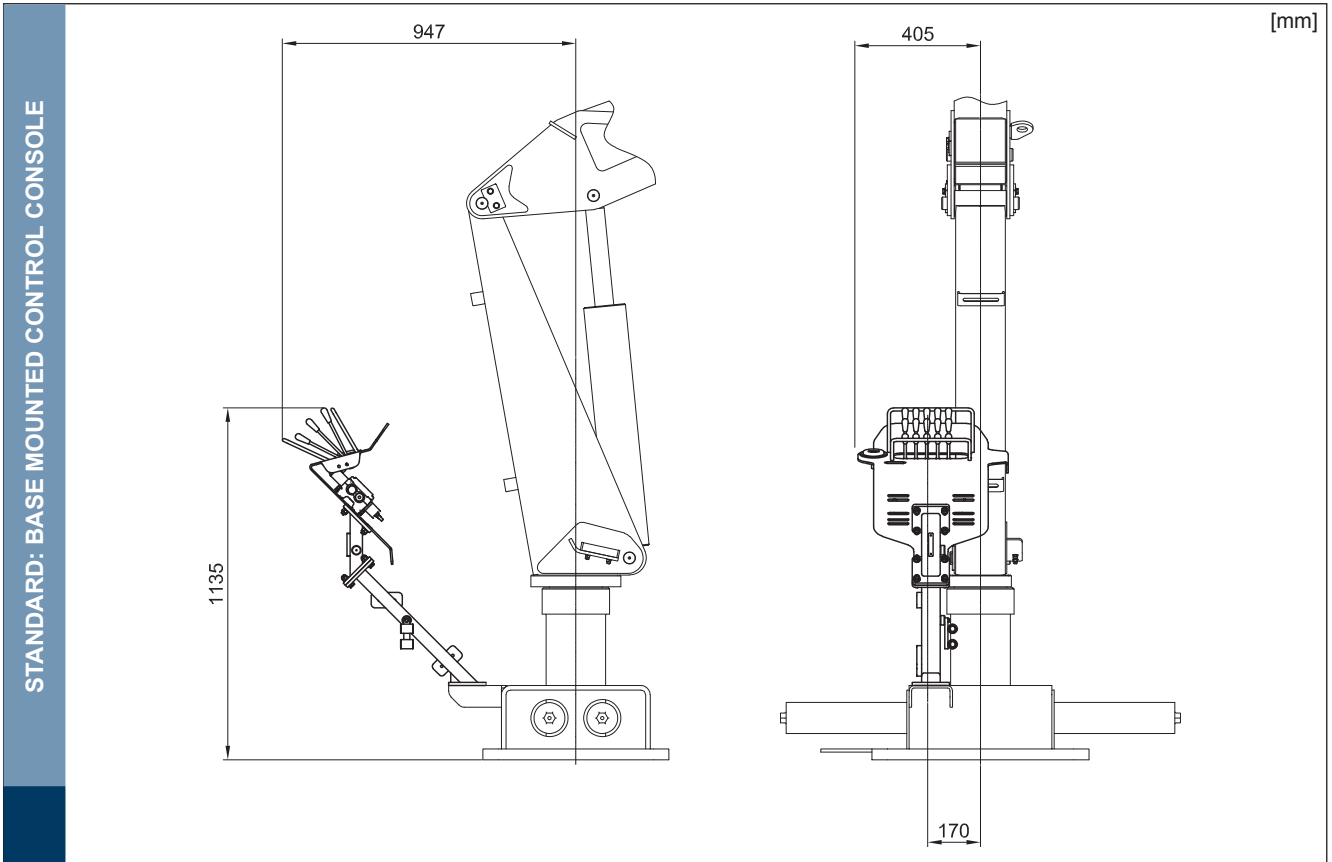


Custom Built Marine & Offshore Cranes

FOLDABLE CRANE

HLM 6-2S MODEL

Control position



Technical data are indicative and may change without notice, production tolerance have to be taken in to account. 2019 March | 861222-00



Custom Built Marine & Offshore Cranes

FOLDABLE CRANE

HLM 6-2S MODEL

STANDARD DEAD SPOT

[mm]

